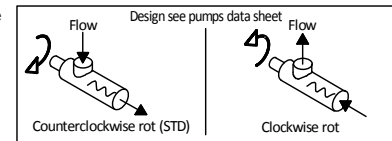
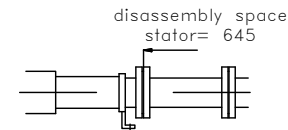
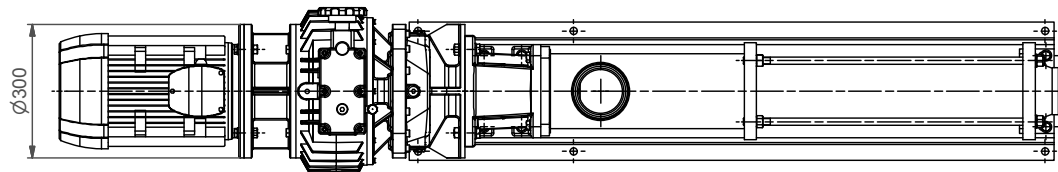
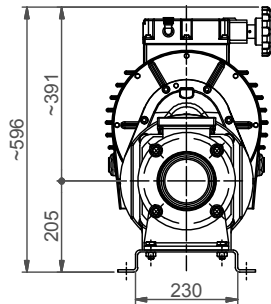
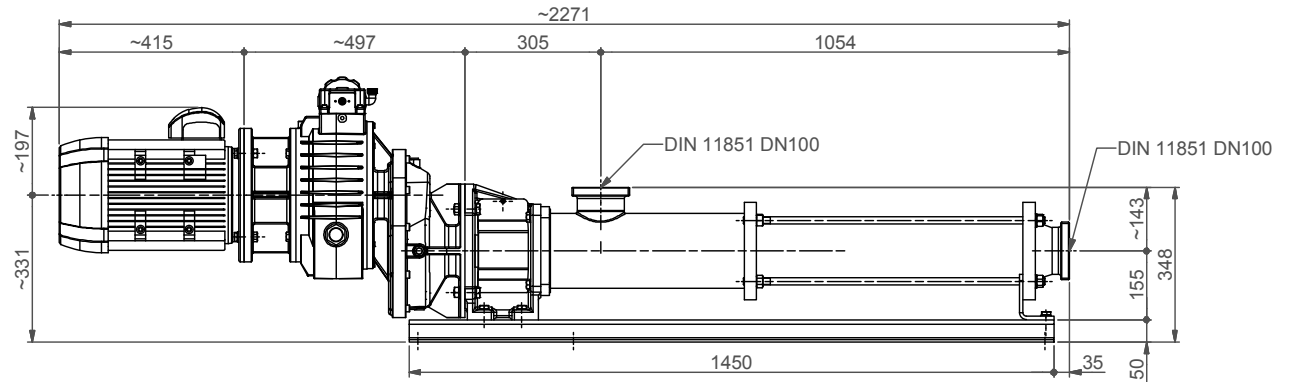
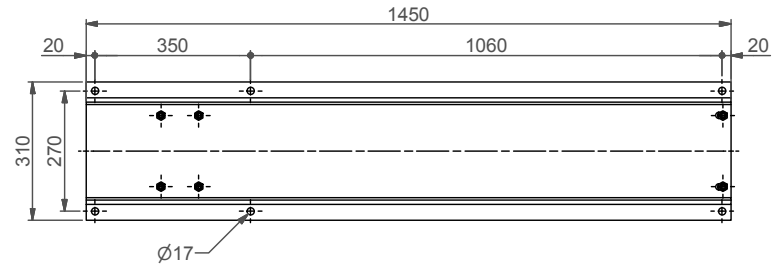


C.W.M. S.R.L.



Replacement for: **DN401A_D1.02.001**

TYPE: **MD100-1**

Denomination:
Dimensional Drawing

Replacement by:

Drawn:
Date:
Check: GM
Date: 28/12/2013

Scale: 1:17



Weight: 316 kg

Sheet 1 of 1

General Tolerances ISO 2768-v
Geometrical tolerance and roughness ISO 1302